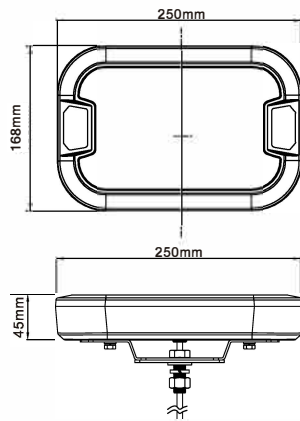
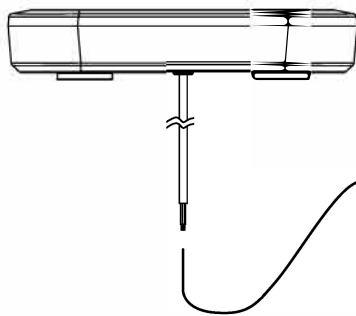


LED-001 LIGHT BAR

- ECE R65 ECE R10 SAE
- Operating temperature -40° - 65°
- Operating Voltage 10-30V DC



WIRING



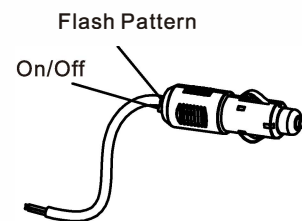
Bolt Mount supplied with 4 meter cable with stripped ends.

3 Wires (Bolt Mount)

- Red: "+" 10-30DC
- Black: "-" GND
- Yellow: For Flash Patterns and synchronization

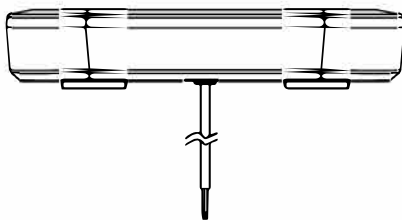
- * **Flash Pattern: the yellow line to + VDC.**
- Less than 1 second for the next pattern.
- More than 5 seconds for the first pattern.

Magnet Mount supplied with 3 meter Cable with Cigarette Lighter Power Adaptor.

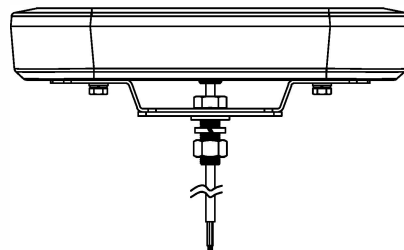


MINIBAR MOUNTING

Magnetic Mount
Part Number: LED-001-MG



Center Bolt Mount
Part Number: LED-001-OB



FLASH PATTERNS

#	Patterns	FPM
1	ECE R65 Single (All)	150
2	Single (Quick)	152
3	Quad (All)	150
4	Strobe (Quick)	1500
5	Strobe(Slow)	75
6	Combination 1	/
7	Combination 2	/

#	Patterns	FPM
8	Combination 3	/
9	Rotate (Quick)	150
10	Rotate (Slow)	75
11	Alternate (Slow)	75
12	Alternate Double (Slow)	77
13	Alternate Quad (Quick)	76
14	Alternate (Quick)	19

#	Patterns	FPM
15	Combination 4	/
16	Combination 5	/
17	Combination6	/
18	Combination 7	/
19	Combination 8	/